



# Open Access Networks & Infrastructure Sharing

Chris Smedley, Chief Executive



Tuesday, 23 November 2010

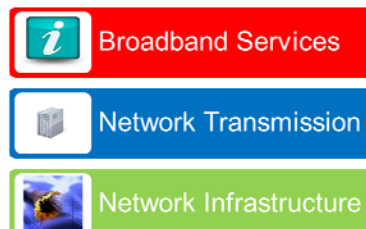
## Open Access



### A true open access network:

- Is open at **Layer 1: fibre and co-location**
- Enables choice for service providers as to the Layer 2 technology they wish to run on Day 1 and, critically, in the future as the market continues to evolve
- Does not restrict the market to its choice of technologies (eg GPON) and speeds
- Is more than a wholesaler of its own Layer 2 products
- Installs multiple fibres to key intermediate points or premises
- Welcomes unbundling and structural separation from downstream retail market

### As critical in the backhaul market as in the access layer



## Deploying New Fibre



### Essential long-term infrastructure for all NGA projects:

- Fibre to the Premise
- Fibre to the Cabinet (VDSL)
- Fibre to the Mast (Wimax; 3G; LTE)
- Fibre to the "Village Pump" (Community Fibre Projects)

### Must be truly open to all players

### The best place for public sector investment

- Not a short-term technology upgrade
- Enables access layer investment and competition



3

Tuesday, 23 November 2010

## Government Investment



### Up to £830m to be invested in rural super-fast broadband by 2017

- Investment in critical new national infrastructure
- Announced on same day as Comprehensive Spending Review

### Fibre in rural areas needed for the four BDUK pilots, other current projects and the future procurement schemes

Digging roads = >£100 per metre

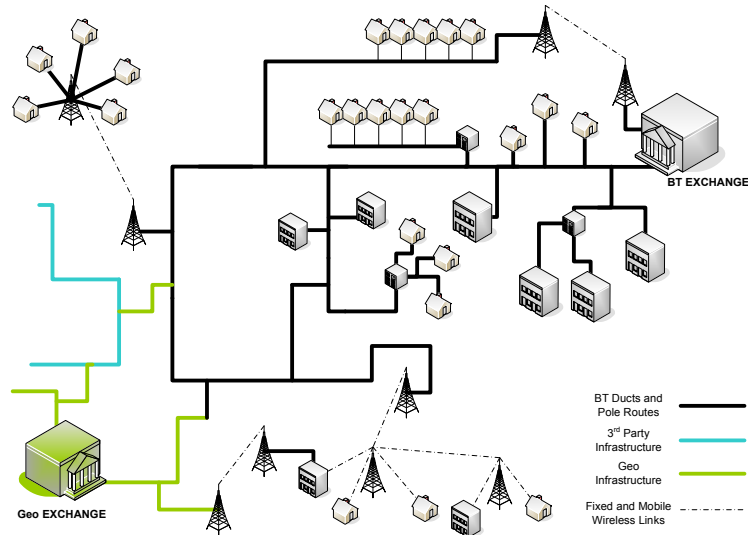
Using existing purpose-built pole system = c.£2.50 per metre



4

Tuesday, 23 November 2010

## Rural Broadband: Hybrid Access



Tuesday, 23 November 2010

## FibreSpeed

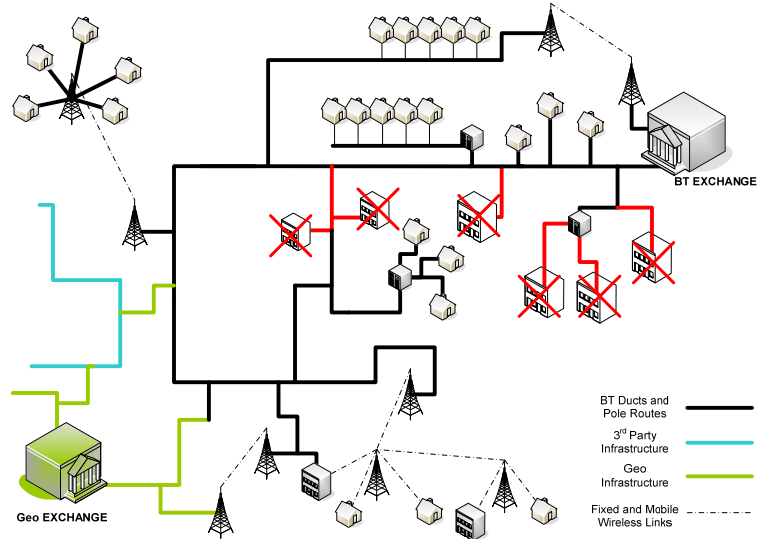


- Geo won a tender to build and operate a 270km open access network from Manchester to Anglesey
- Funded jointly by European Regional Development Fund, WAG & Geo
- An essential infrastructure for new broadband services
- Sells to many service providers who in turn engage the retail market
- Open access to "passive" network components
- Ideal model for fibre development by the public sector



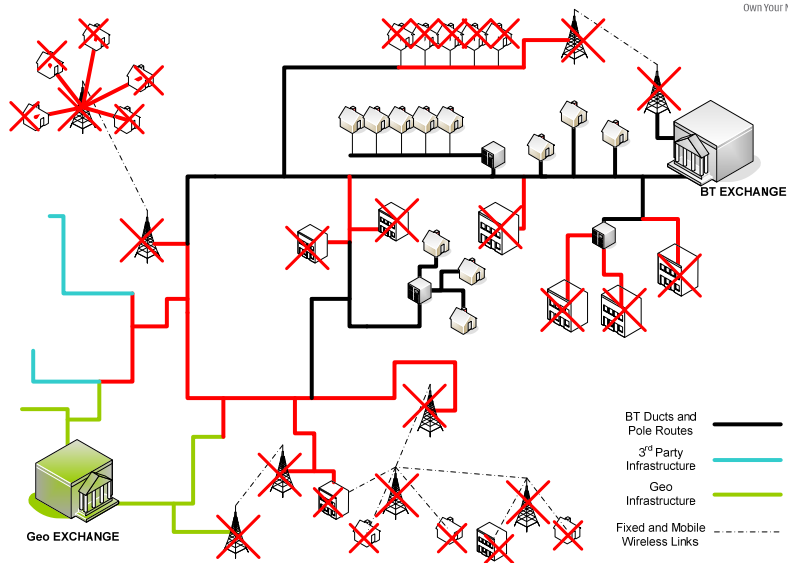
Tuesday, 23 November 2010

## No Leased Lines For Businesses



Tuesday, 23 November 2010

## No Fixed Or Wireless Backhaul



Tuesday, 23 November 2010